



# STARLED3 NX

---



surgical led lamp

---

**STARLED3 NX** is a lamp manufactured by acem based on the last generation led technology, assuring cold light, long life and low energy consumption. The lamp is suitable for countless applications both for surgery and operating room. It is ideal for diagnosis, dental sector, gynaecology, dermatology, general medicine and surgery.



**STARLED3 NX** grants a homogeneous and shadowless light thanks to its special led optics created by acem medical company that directs light beams at best according to the needs.

The visual area is perfectly illuminated assuring both excellent visual comfort and working conditions.

its next generation leds produce an unparalleled quality of light with a colour temperature (ccT) of 4.500 °K and a colour rendering index (cri) of 95.

sTarled3 NX has a light intensity of 130.000 lux with a low energy consumption of 69W.

The life cycle of its leds is about 50.000 hours.





STARLED3 NX is composed by three reflectors that produce a well-blended and intense cone of light focusable through the automatic adjustment of the light spot diameter.

its slim, practical and compact design makes it perfect for several uses. The lamp is ergonomic, easy to move and to position and suitable for the laminar flows of the operating room.

Its ENDO function (light for endoscopy) gives the possibility to use sTArled3 NX for minimal-invasive surgery too.

The easy -to-clean shape and material of sTArled3 NX as well as its removable, sterilizable and easy-to-grip handle assure an excellent cleanliness.

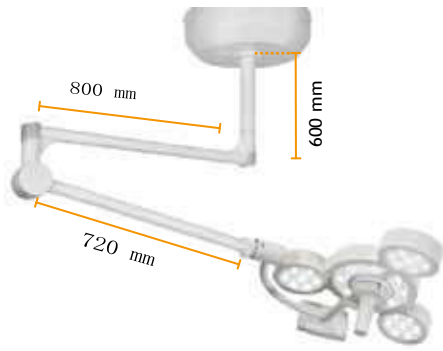


Functions are adjusted by its innovative easy-to-read, ergonomic and easy-to-clean I-seNse® control panel.

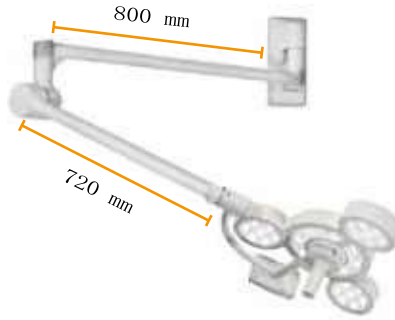
With a simple touch it can manage easily and accurately:

- ON/OFF function
- Light intensity adjustment
- DoF - Depth of field - for a deep light
- ENDO - Light for endoscopy ideal for minimal-invasive surgery
- SIZE - Light spot diameter adjustment to focus the operating area
- SYNC - Function (optional) useful to synchronize controls of the combined lamps: STARLED3 NX double (twin dome configuration) and sTArled3 NX together with sTArled5 NX or sTArled7 NX.

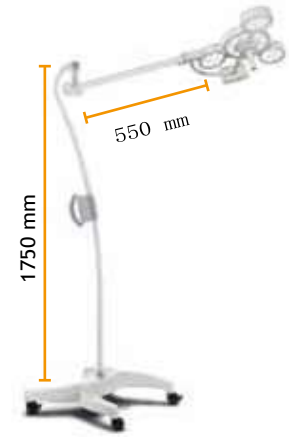
sTarled3 NX is available in the following versions:



ceiling mounted  
(Single, double configuration or together with other sTarled NX lamps)



Wall mounted



Trolley mounted  
(Battery on demand)

Examples of Standard Line configuration

### TECHNICAL FEATURES

product class (eN 60601 - 2 - 41)	I
power supply	100 - 240 Vac $\pm$ 10%
power consumption	69 W
Frequency	50/60 Hz
light source	led
average life	50.000 hrs about
lighting at the centre, ec @ 100 cm	130.000 lux
light adjustment	from 5 % to 100%
colour temperature, ccT	4.500 °K
colour rendering index, ra	95
chromaticity coordinates	x = 0.365 , y = 0.370
Light field diameter	24 - 33 cm
Focusable working distance	70 - 150 cm
lighting depth l1+ l2	71 cm
<b>Dimensions, weight and further data</b>	
light head weight	4 Kg
light head diameter	50 cm
Low ceiling height arm (LCH)	Optional
Handle	Removable and sterilizable
colour	White ral 9002

Distributor:



**ACEM SpA**  
**Medical Company Division**  
 Via della Tecnica 29 - 40050 argelato  
 Bologna - ITALY  
 ph +39 051 721844 Fax +39 051 721855  
 info@acem.it www.acem.it



**DELTA PLUS (PVT) LTD.**  
 H # 220, STREET # 13  
 Khayaban-E-Kashmir  
 G-15/4, Islamabad , Pakistan  
 TEL+92(51)2160155-6  
 FAX: +92(51)2160157  
[info@deltapluspvt.com](mailto:info@deltapluspvt.com)  
 URL: www.deltapluspvt.com